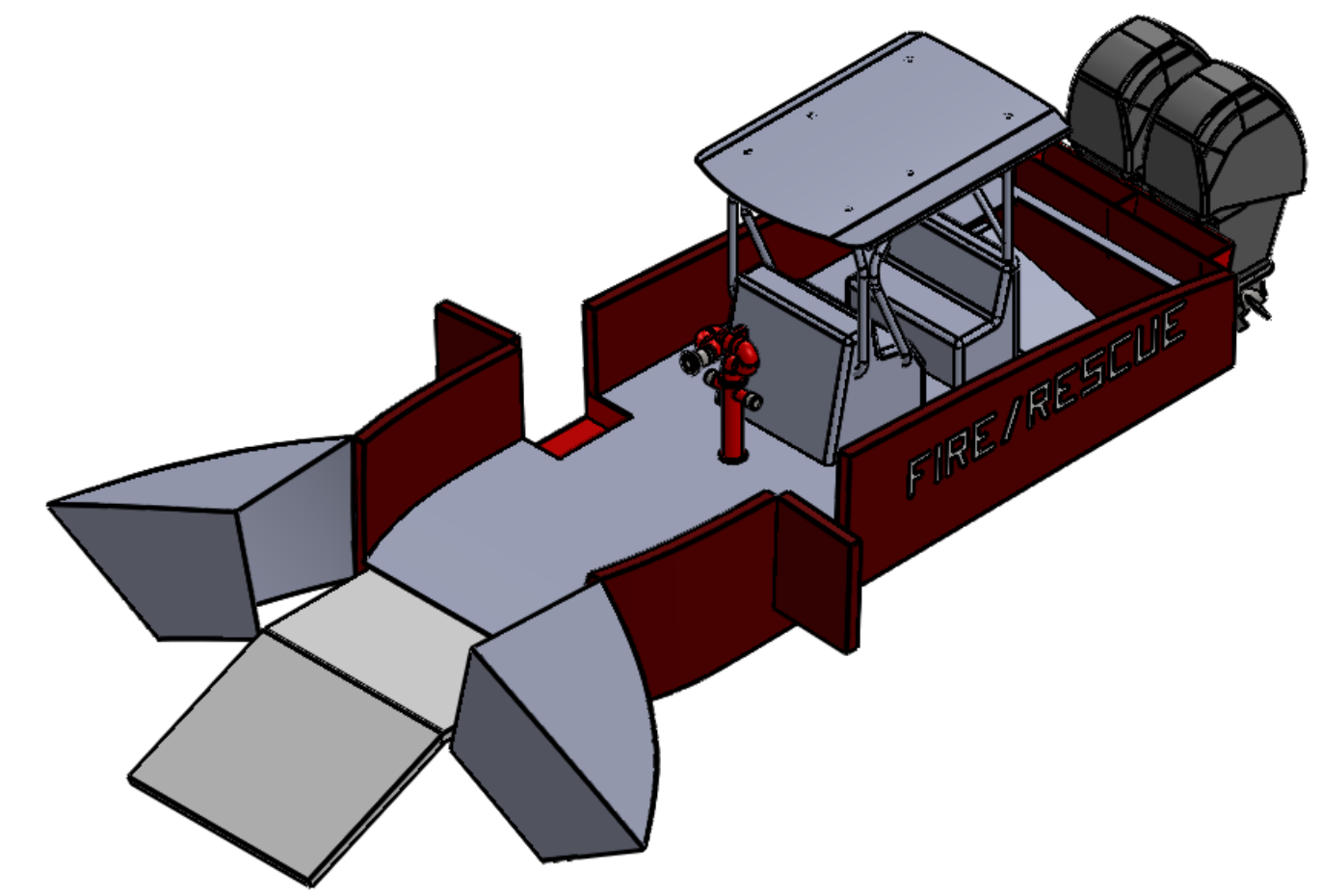
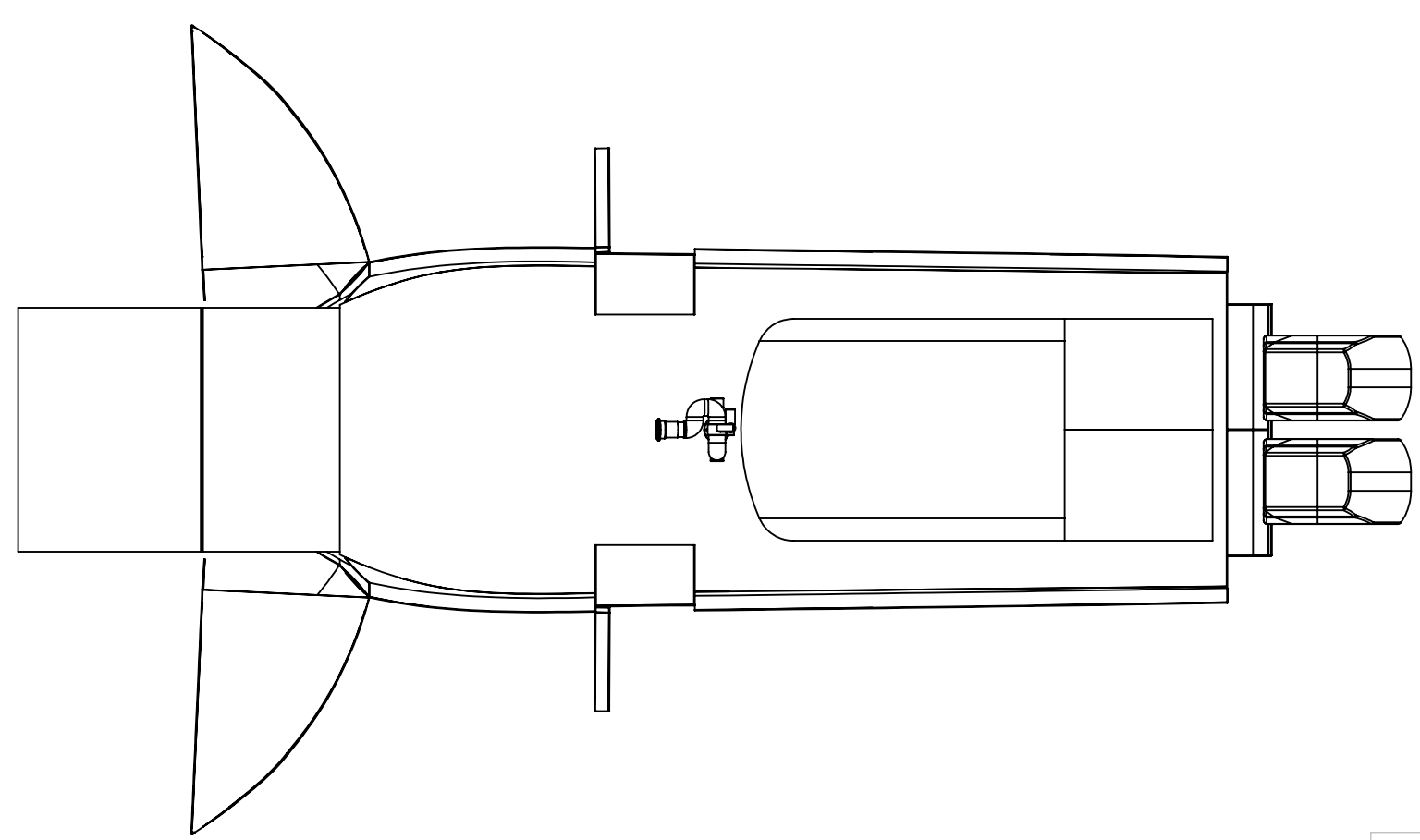
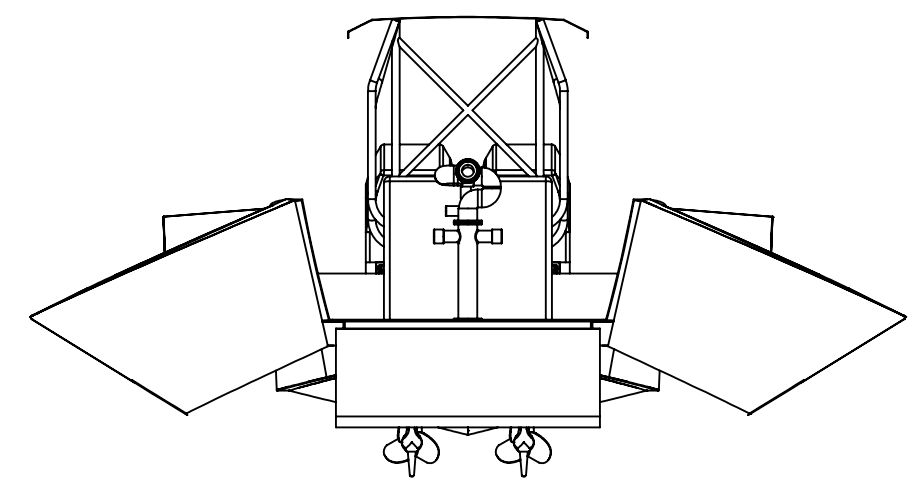
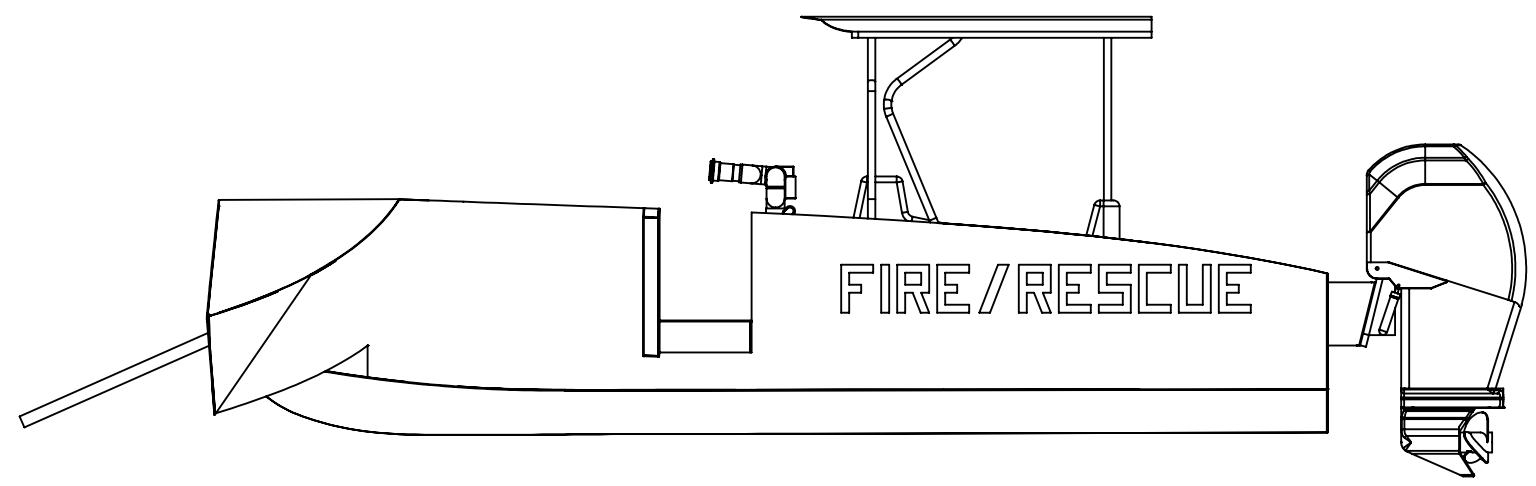


8 7 6 5 4 3 2 1

D  
C  
B  
A



D  
C  
B  
A

PROPRIETARY AND CONFIDENTIAL  
THE INFORMATION CONTAINED IN THIS  
DRAWING IS THE SOLE PROPERTY OF  
HARBOR GUARD BOATS. ANY  
REPRODUCTION IN PART OR AS A WHOLE  
WITHOUT THE WRITTEN PERMISSION OF  
HARBOR GUARD BOATS IS  
PROHIBITED.

		UNLESS OTHERWISE SPECIFIED:		NAME	DATE	HARBOR GUARD BOATS		
		DIMENSIONS ARE IN INCHES TOLERANCES: FRACTIONAL ± 1/64 ANGULAR: MACH ± .05 BEND ± .25 TWO PLACE DECIMAL ± .01 THREE PLACE DECIMAL ± .003		DRAWN	PDR			10/08/11
		INTERPRET GEOMETRIC TOLERANCING PER:		CHECKED		TITLE:		
		MATERIAL		ENG APPR.		SPLIT BOW 26		
		FINISH		MFG APPR.				
NEXT ASSY	USED ON			PART NUMBER:		SIZE	DWG. NO.	REV
APPLICATION		DO NOT SCALE DRAWING				B		A
						SCALE: 1:48 WEIGHT:		SHEET 1 OF 1

8 7 6 5 4 3 2 1